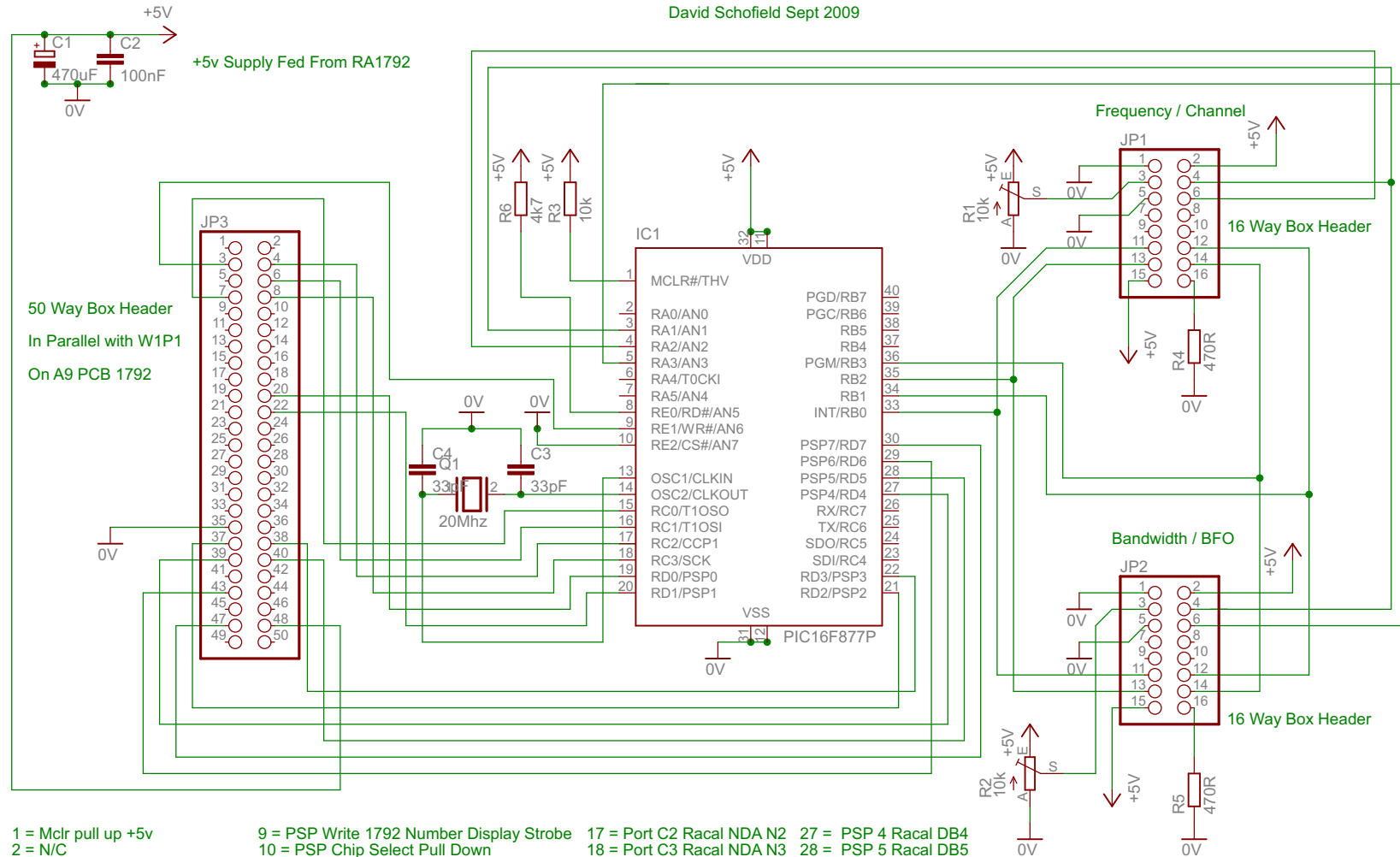


Racal PIC Display Interface

David Schofield Sept 2009



- 1 = Mclr pull up +5v
- 2 = N/C
- 3 = Display Enable LCD Pin 4
- 4 = Port A1 LCD1 Enable
- 5 = Port A2 LCD2 Enable
- 6 = N/C
- 7 = N/C
- 8 = PSP Read Pull Up +5v

- 9 = PSP Write 1792 Number Display Strobe
- 10 = PSP Chip Select Pull Down
- 11 = VDD +5v Supply
- 12 = VSS 0v
- 13 = OSC1 20Mhz
- 14 = OSC2 20Mhz
- 15 = Port C0 Racal NDA N0
- 16 = Port C1 Racal NDA N1

- 17 = Port C2 Racal NDA N2
- 18 = Port C3 Racal NDA N3
- 19 = PSP 0 Racal DB0
- 20 = PSP 1 Racal DB1
- 21 = PSP 2 Racal DB2
- 22 = PSP 3 Racal DB3
- 23, 24, 25, 26 = N/C
- 27 = PSP 4 Racal DB4
- 28 = PSP 5 Racal DB5
- 29 = PSP 6 Racal DB6
- 30 = PSP 7 Racal DB7
- 31 = VSS 0v
- 32 = VDD +5v Supply
- 33 = Port B0 LCD Data D4

- 34 = Port B1 LCD Data D5
- 35 = Port B2 LCD Data D6
- 36 = Port B3 LCD Data D7
- 37, 38, 39, 40 = N/C